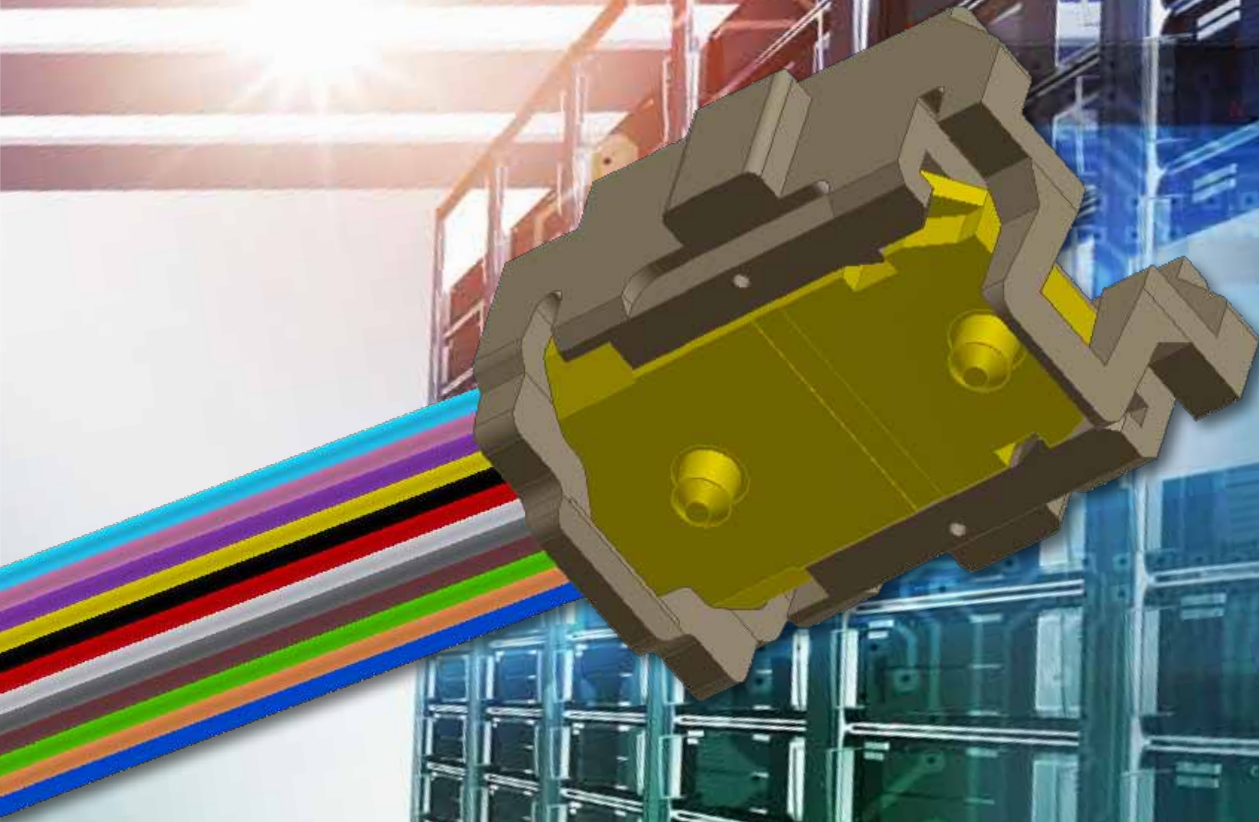




WAVE2WAVE

Connect for Life™

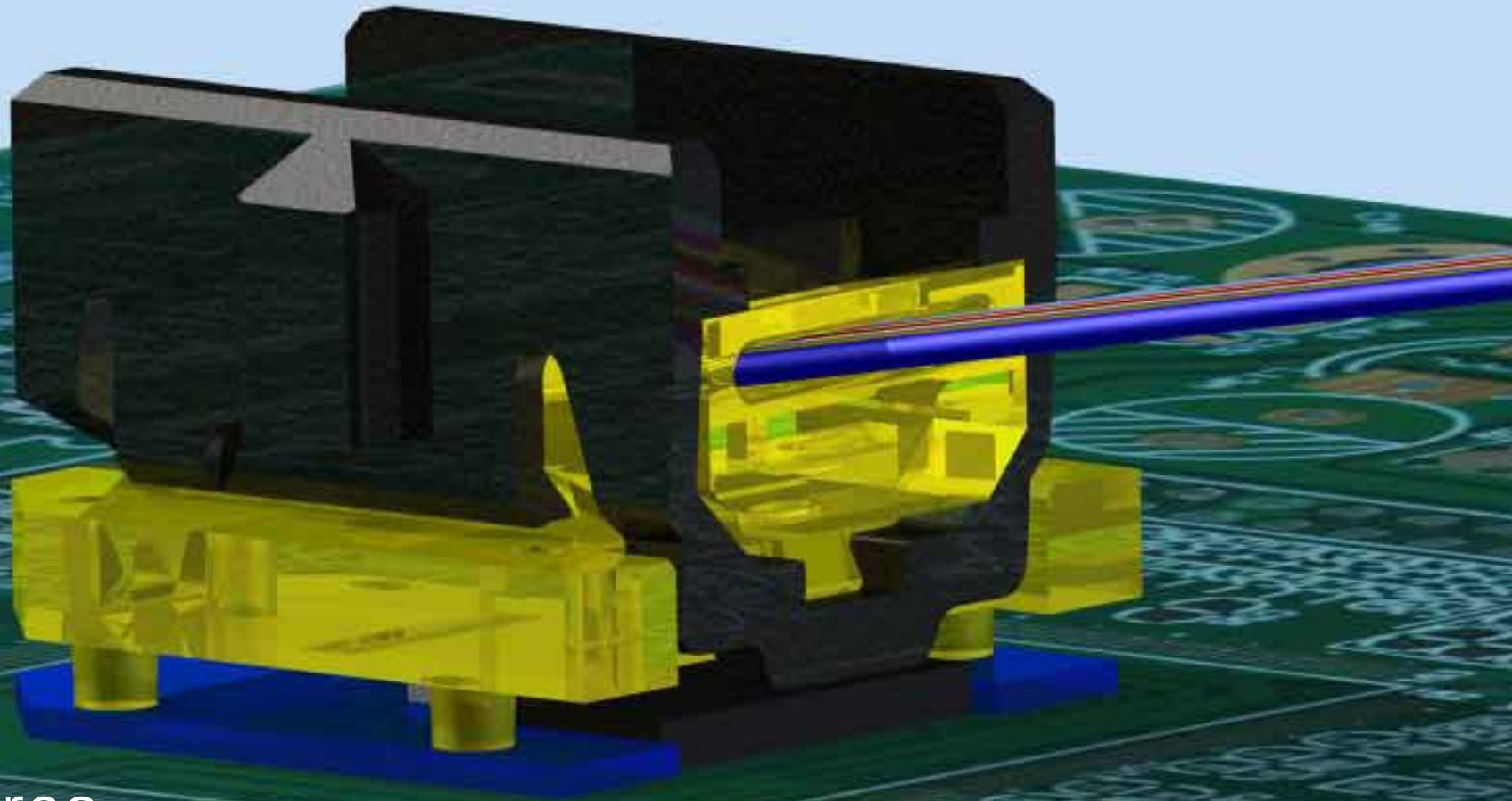


R É V O L <sup>TM</sup>

# RÉVOL Optical Backplane Technology

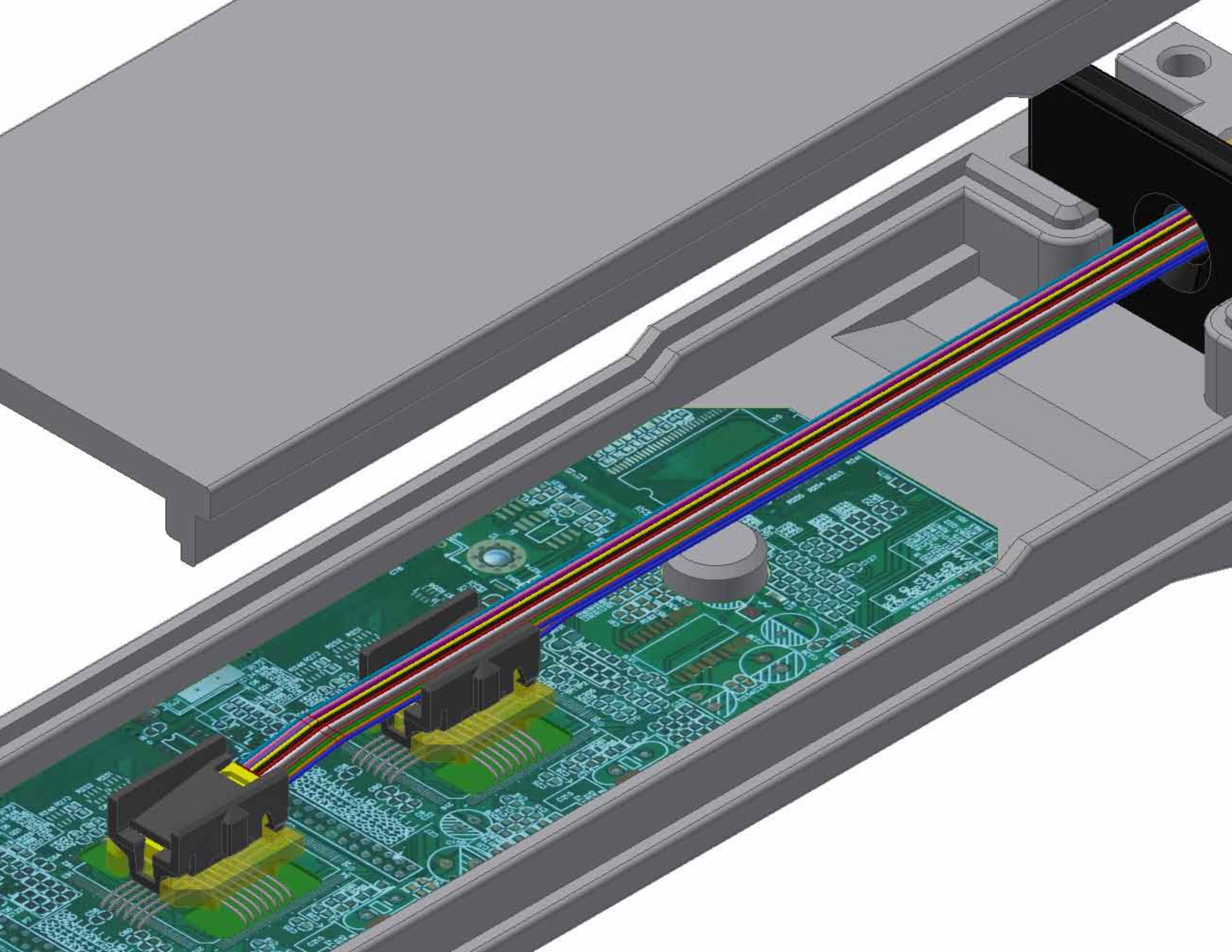
From wires and harnesses into WIFI boxes, security appliances and switches with equipment OEM's, optical interconnect on the back plane and board levels is innovating high-speed technology. Optical RÉVOL™ PRIZM® LightTurn® and RÉVOL™ connectors are the latest examples for W2W going inside the box.

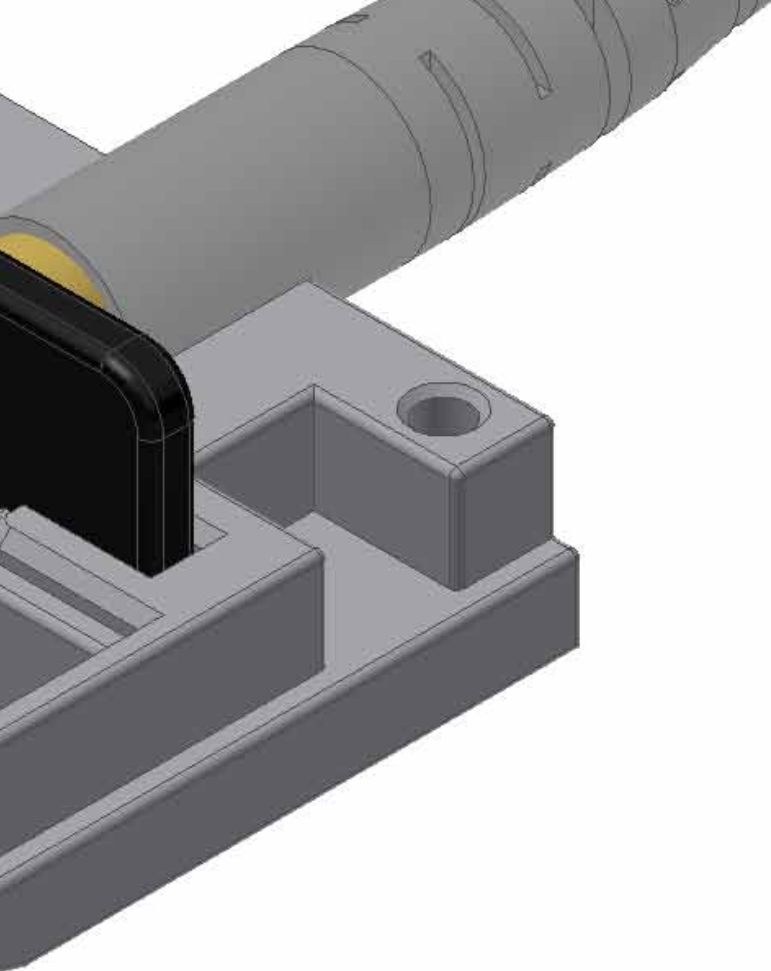




## Features

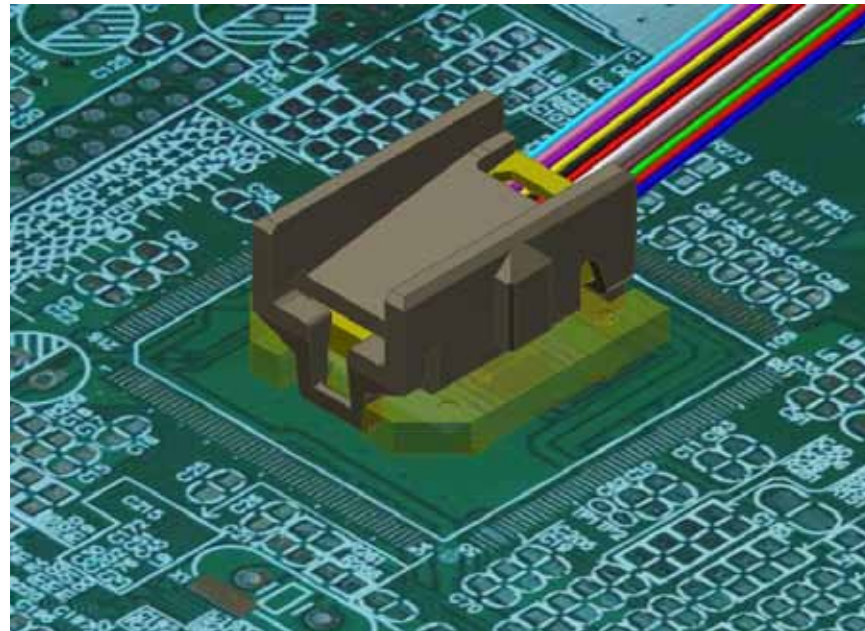
- Small form factor enables increased board component densities
- Facilitates increased card edge densities
- Lowers termination cost
- TIR lenses redirect the light path at approximately 90° to the fiber axis improving board level optical cable routing
- Housing accommodates stacked ribbons for dense tiling of optical modules
- Reliable, consistent, and repeatable mating interface to the optical module





## Board Level Connectivity

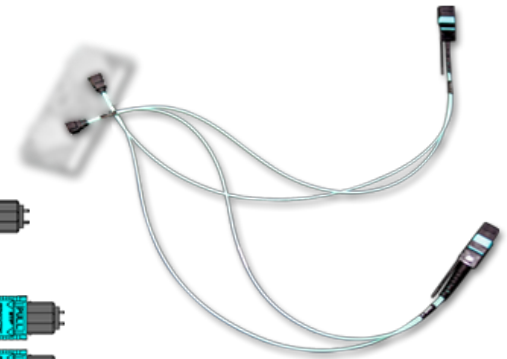
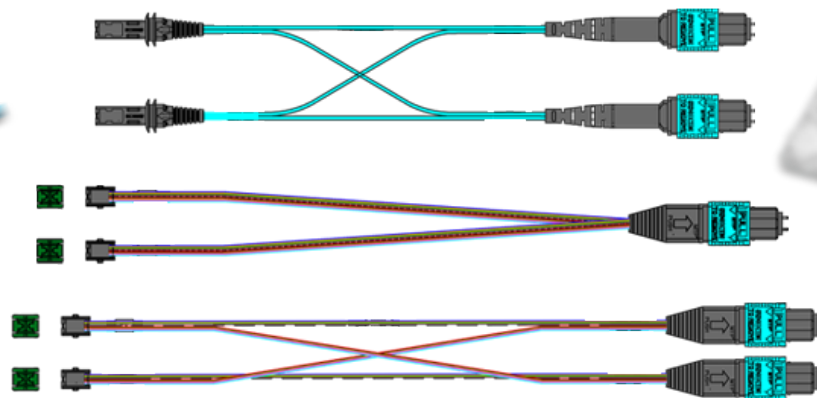
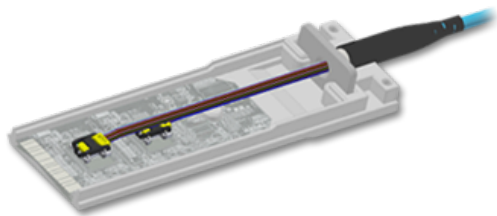
A precision molded ferrule incorporating a monolithic array of microholes that accepts a ribbonized array of cleaved fibers and aligns them with individual aspheric total internal reflection (TIR) lenses. Each TIR lens redirects the light path approximately  $90^\circ$  to the fiber axis facilitating perpendicular mating to the printed circuit board. Molded alignment posts at the ferrule's optical exit window facilitate precision alignment to parallel optic devices.



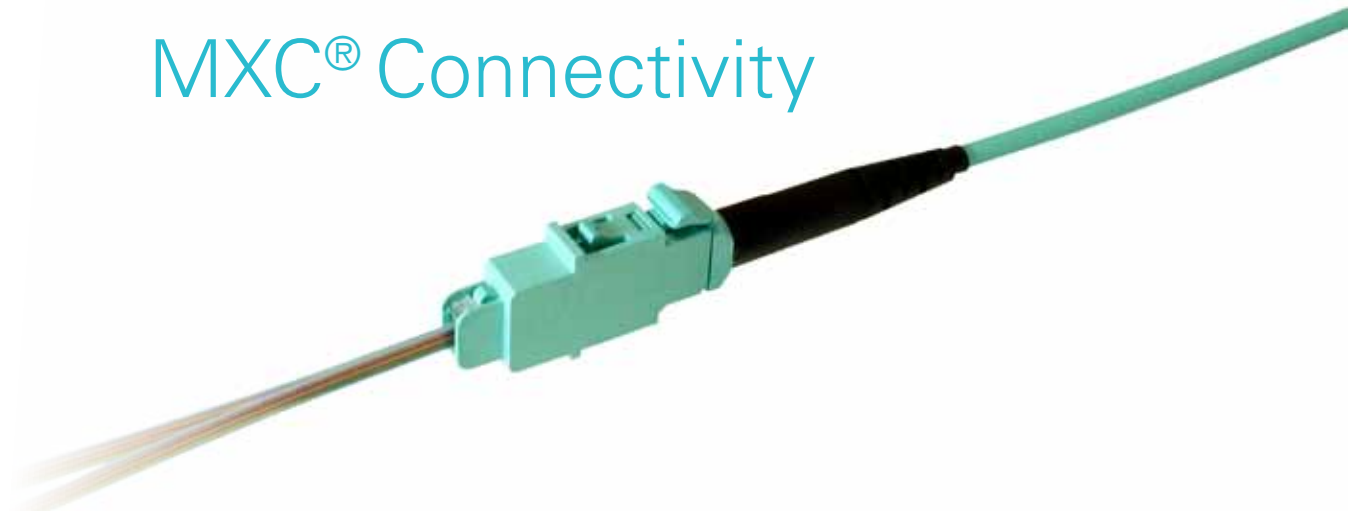


## PRIZM<sup>®</sup> MT<sup>®</sup>

The PRIZM<sup>®</sup> MT ferrule expands on the detachable PRIZM<sup>®</sup> LightTurn<sup>®</sup> expanded beam Tx/Rx interface by taking multi-fiber lensed connectors to the equipment card-edge. The outer dimensional footprint is identical to traditional MT ferrules making the PRIZM<sup>®</sup> MT compatible with any MT ferrule based connector hardware package.



MXC<sup>®</sup> Connectivity





WAVE2WAVE

Connect for Life™

R É V O L <sup>TM</sup>